

Single-Axis Scheimpflug Camera Adapter

Pivtec GmbH

Stauffenberggring 21

D-37075 Göttingen, Germany

Tel. +49(0)551 205 29 170

Fax +49(0)551 205 29 176

info@pivtec.com • www.pivtec.com



for Stereo-PIV or similar applications



Specifications

- robust, field-proven construction
- +/- 15° of Scheimpflug angle adjustment
- full 360° rotation of complete unit
- F-Mount (Nikon) lens mounts (other 35mm format lens mounts upon request)
- rigid support base for mounting tele-photo lenses
- remote controlled lens focus adjustment (fits nearly any manual focus lens)
- interfaces with X95 optical rail components
- manufactured from stainless steel, solid brass and anodized aluminum
- weight approx. 8 kg
- available camera mounting blocks:
 - PCO Sensicam
 - PCO Pixelfly
 - Kodak ES1.0(other interface blocks upon request)
- Suitable for nearly any CCD camera with C-Mount lens mount. Special configurations upon request.

(Note: X95 clamp, X95 rail, camera and lens not included)

Single-Axis Scheimpflug Camera Adapter

Pivtec GmbH

Stauffenberggring 21

D-37075 Göttingen, Germany

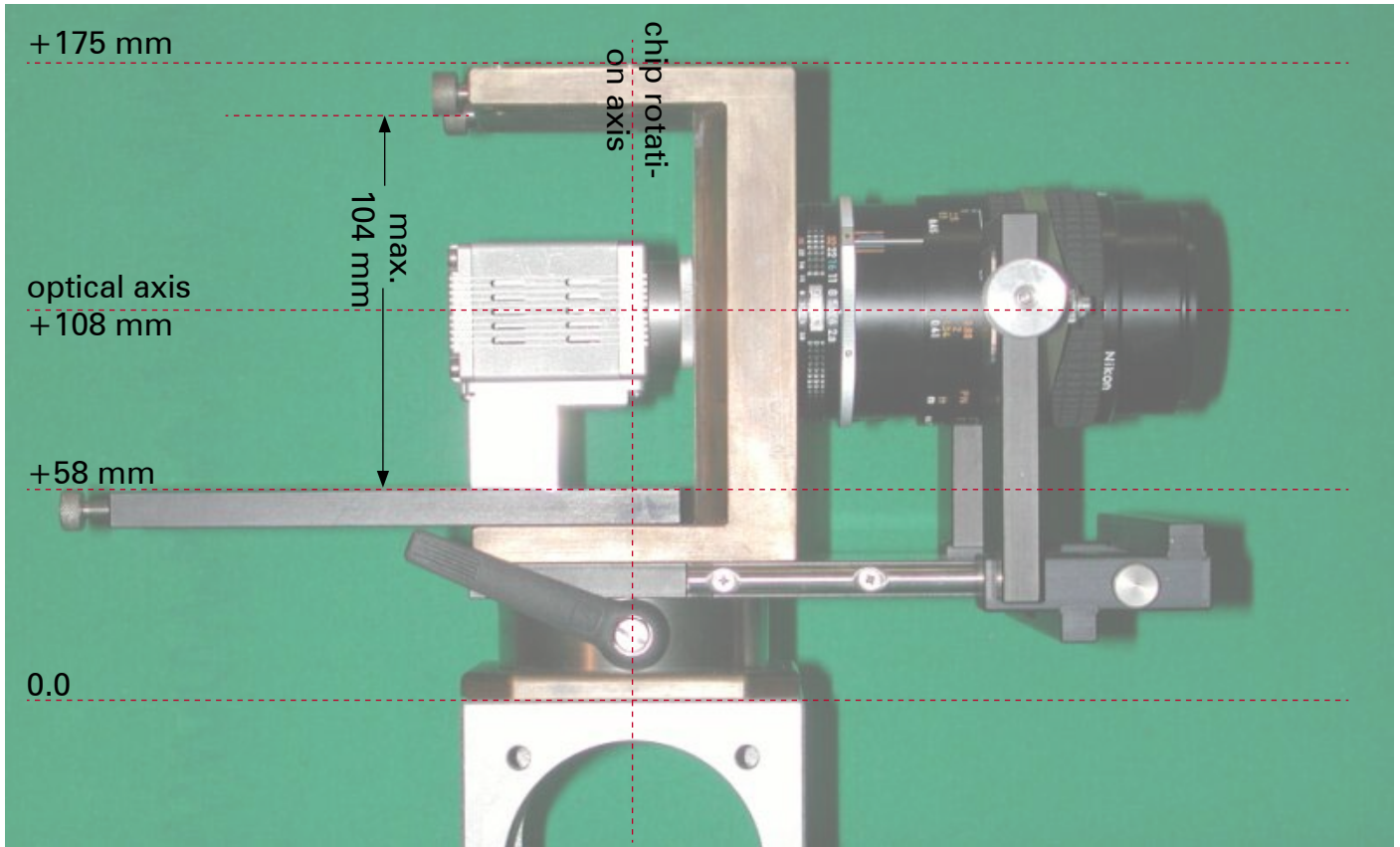
Tel. +49(0)551 205 29 170

Fax +49(0)551 205 29 176

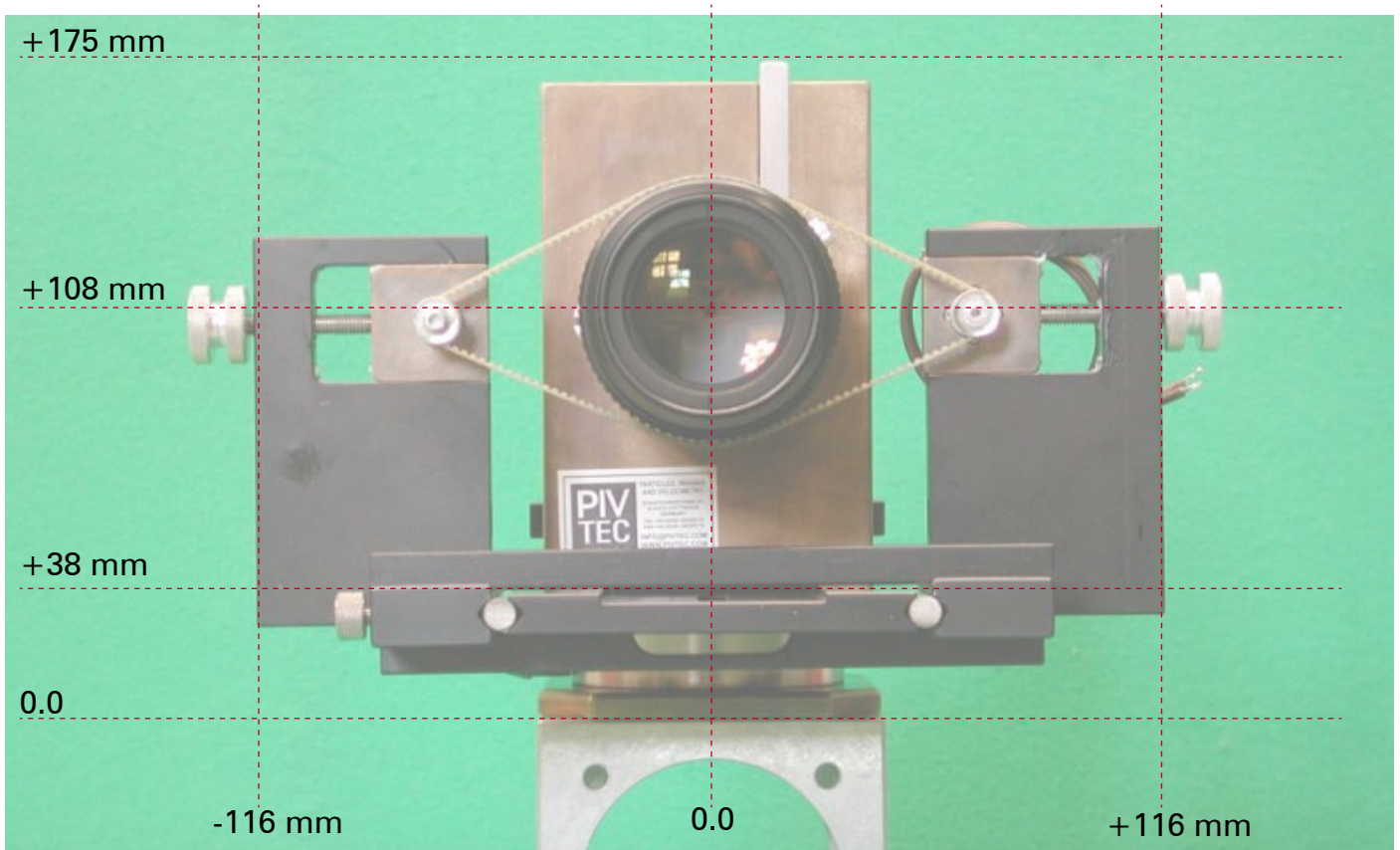
info@pivtec.com • www.pivtec.com



Side View



Front View



Single-Axis Scheimpflug Camera Adapter

Pivtec GmbH

Stauffenberggring 21

D-37075 Göttingen, Germany

Tel. +49(0)551 205 29 170

Fax +49(0)551 205 29 176

info@pivtec.com • www.pivtec.com



Bottom View

